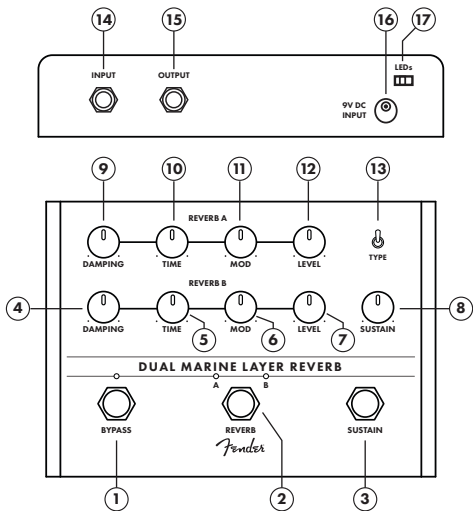


Fender

DUAL MARINE LAYER REVERB



- | | |
|--------------------------|------------------------|
| 1. Bypass Footswitch/LED | 9. Damping (Reverb A) |
| 2. Reverb Footswitch/LED | 10. Time (Reverb A) |
| 3. Sustain Footswitch | 11. Mod (Reverb A) |
| 4. Damping (Reverb B) | 12. Level (Reverb A) |
| 5. Time (Reverb B) | 13. Type Switch |
| 6. Mod (Reverb B) | 14. Input Jack |
| 7. Level (Reverb B) | 15. Output Jack |
| 8. Sustain | 16. DC Power Connector |
| | 17. LED Kill Switch |

Fender®

DUAL MARINE LAYER REVERB

Fender and reverb—name a more iconic musical duo. Fender's Dual Marine Layer Reverb delivers even more dimension to your sonic arsenal. With two independent footswitchable settings, its three distinctive reverb algorithms let the user create multiple soundscapes. The sustain switch generates massive atmospheric creations for an out-of-this-world tonal experience.

Designed by our in-house team of experts, the Dual Marine Layer Reverb is an all-original Fender circuit. The chassis is crafted from lightweight, durable anodized aluminum, and the LED-backlit knobs easily show your control settings at a glance on dark stages.

DESIGNED IN CALIFORNIA, U.S.A.

Bypass Footswitch/LED

Bypasses the effect altogether. The Dual Marine Layer Reverb is a true-bypass pedal with an analog dry path.

Reverb Footswitch/LED

Selects between the A set of controls (upper row) and the B set (lower row). LED for the active row will be illuminated.

Sustain Footswitch

This momentary switch “overtakes” the TIME controls with the setting from the SUSTAIN control knob. Use this feature to add a long reverb tail to a particular note or chord.

Level (Reverb B)

Adjusts the volume of Reverb B.

Damping (Reverb B)

Controls how fast high frequencies decay in the Reverb B sound. Increasing this control will make the reverb tail darker as it fades out.

Time (Reverb B)

Controls Reverb B decay time.

Mod (Reverb B)

Changes modulation rate for Reverb B, adding lushness to the sound.

Sustain

Modifies reverb decay time when the SUSTAIN FOOTSWITCH is pressed and held.

Level (Reverb A)

Adjusts the volume of Reverb A.

Damping (Reverb A)

Controls how fast high frequencies decay in the Reverb A sound. Increasing this control will make the reverb tail darker as it fades out.

Time (Reverb A)

Controls Reverb A decay time.

Mod (Reverb A)

Changes modulation rate for Reverb A, adding lushness to the sound.

Type Switch

Selects the active reverb algorithm, or sound.

Input Jack

High-impedance input suitable for electric guitar, bass, acoustic guitars with pickup systems, keyboards and other instruments.

Output Jack

Low-impedance output jack connects to amp or to next effect pedal in signal chain.

DC Power Connector

Standard center-negative 9VDC jack for use with appropriate power supplies.

LED Kill Switch

Deactivates control-knob illumination.

A PRODUCT OF
FENDER MUSICAL INSTRUMENTS CORPORATION
CORONA, CALIFORNIA, U.S.A.

Fender® is a registered trademark of FMIC.
Copyright © 2020 FMIC. All rights reserved.

PN 7720604000 REV. A

IMPORTANT SAFETY INSTRUCTIONS

- **WARNING:** To prevent damage, fire or shock hazard, do not expose the unit or its AC power to rain or moisture.
- Do not alter the AC plug of the connected power adapter
- Do not drip or splash liquids on the unit.
- No user serviceable parts inside, refer servicing to qualified personnel only.
- **WARNING:** The unit must only be connected to a safety agency certified, regulated, power source (adapter), approved for use and compliant with applicable local and national regulatory safety requirements.
- Unplug AC power adapter before cleaning unit exterior. Use only a damp cloth for cleaning; wait until unit is completely dry before reconnecting to power.
- Amplifiers and loudspeaker systems, and ear/headphones (if equipped) are capable of producing very high sound pressure levels, which may cause temporary or permanent hearing damage. Use care when setting and adjusting volume levels during use.

ADDITIONAL LANGUAGES

Manual available in additional languages at
www.fender.com/support

SPECIFICATIONS

IMPEDANCES POWER SUPPLY

Input: 820K Ω Output: 470 Ω
9VDC regulated adapter,
5.5 x 2.1 mm barrel connector, center negative
150mA @ 9VDC 

POWER REQUIREMENTS

DIMENSIONS WEIGHT

6.69" x 4.84" x 1.77" (170mm x 123mm x 45mm)
2.25 lbs. (1.02kg)



Product specifications subject to change without notice



NOTES

Fender®

© FENDER MUSICAL INSTRUMENTS 2020

产品中有害物质的名称及含量

部件名称	有害物质					
	铅 (Pb)	汞 (Hg)	镉 (Cd)	六价铬 (Cr(VI))	多溴联苯 (PBB)	多溴二苯醚 (PBDE)
箱体	O	O	O	O	O	O
喇叭单元*	O	O	O	O	O	O
电子部分	X	O	X	O	O	O
接线端子	X	O	O	O	O	O
电线	X	O	O	O	O	O
附件	O	O	O	O	O	O

本表格依据 SJ/T 11364 的规定编制。

O: 表示该有毒有害物质在该部件所有均质材料中的含量均在 GB/T 26572 规定的限量要求以下。

X: 表示该有毒有害物质至少在该部件的某一均质材料中的含量超出 GB/T 26572 规定的限量要求。

注: 含有有害物质的部件由于全球技术发展水平限制而无法实现有害物质的替代。

*产品含有喇叭单元时有效。